

Signal Conditioner Models

Model SCD1/Gxx

Power Supply Voltage	1-Chan. ± 10 Vdc Output	2-Chan. ± 10 Vdc Output	3-Chan. ± 10 Vdc Output	4-Chan. ± 10 Vdc Output	1-Chan. 4-20 ma Output	2-Chan. 4-20 ma Output
120 Vac	G01	G08	G15	G22	G29	G43
5 Vdc	G02	G09	G16	G23	G30	G44
12 Vdc	G03	G10	G17	G24	G31	G45
15 Vdc	G04	G11	G18	G25	G32	G46
24 Vdc	G05	G12	G19	G26	G33	G47
28 Vdc	G06	G13	G20	G27	G34	G48
48 Vdc	G07	G14	G21	G28	G35	G49

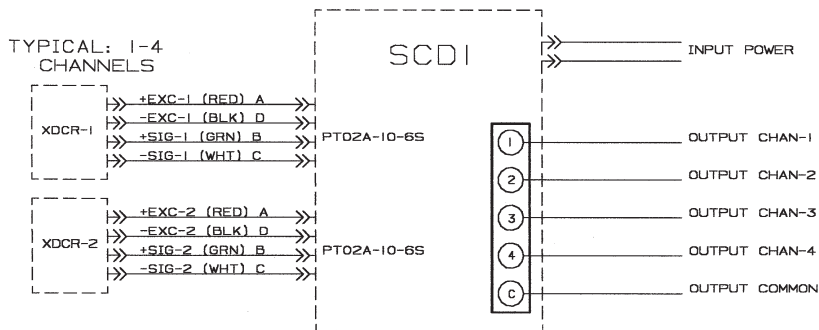
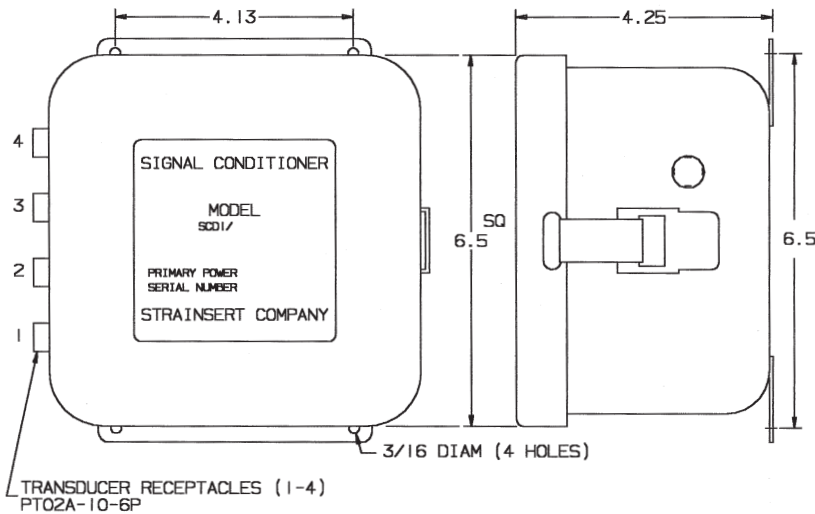
ORDERING EXAMPLES

Model SCD1/G27

Four Channel Input / Output
350 Ohm Bridge
2 - mv/V input
0 - 10 Vdc Output
28 Vdc Power Source

Model SCD1/G29

One Channel Input / Output
350 Ohm Bridge
2 - mv/V Input
4 - 20 ma Output
120 Vac Power Source



TYPICAL CONNECTION DIAGRAM